



PRODUCT
PAGE

The most versatile cylinder
for various applications

CUSTOM CYLINDERS ON REQUEST

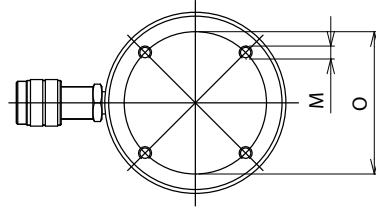


- Single acting cylinders with spring return, high pressure. Push force from 5 to 100 tons with range of strokes from 25 mm to 360 mm.
- Extremely versatile hydraulic cylinders, suitable for various application, for lifting, pressing and pushing.
- The guiding surfaces are sized to guarantee optimal performance in load offset absorption and stop-ring increases safety for the operator avoiding the over stroke of the piston.
- 3/8" NPT female coupler with dust cap equipped, fixing holes on the bottom surface and thread on external section of the body of the cylinder.
- Equipped with high strength gaskets for maximum durability.
- Removable high strength head and possibility of mounting a tilting saddle for better distribution of the load to be lifted.
- External painting and Nitox ONC treatment on all internal mechanical components for maximum resistance against corrosion and wear.
- All models weighing more than 20 kg are equipped with lifting eyebolts.
- Possibility to design and produce custom made hydraulic cylinders on request, with dedicated geometries, performances and features.

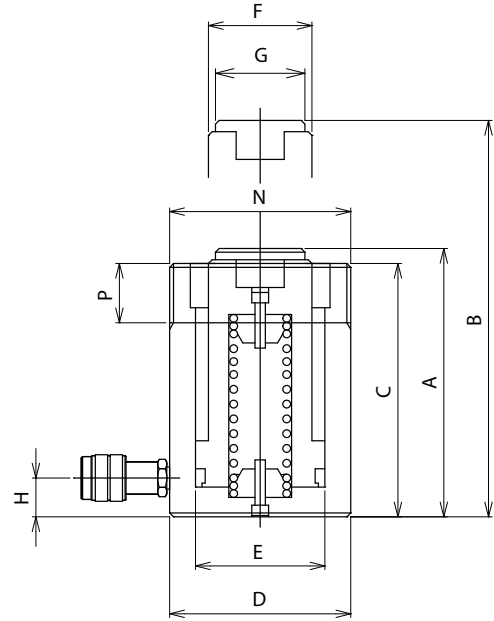
CRM



5-100 ton
Stroke up to 360 mm
700 bar



CRM



CAP/Force ton (kN)	STROKE mm	MODEL	SECTION cm ²	VOLUME cm ³	MASS kg	DIMENSIONS (mm)											
						A	B	C	D	E	F	G	H	O	M	N	P
5 /45	25	CRM-5/25	6,47	16	1,2	115	140	109	38	28,7	25	24,5	19	25	2x 1/4" - 20 UN	1 1/2" - 16 UN	28
	75	CRM-5/75	6,47	49	1,6	165	240	159	38	28,7	25	24,5	19	25	2x 1/4" - 20 UN	1 1/2" - 16 UN	28
	125	CRM-5/125	6,47	81	1,9	215	340	209	38	28,7	25	24,5	19	25	2x 1/4" - 20 UN	1 1/2" - 16 UN	28
	175	CRM-5/175	6,47	113	2,2	265	440	259	38	28,7	25	24,5	19	25	2x 1/4" - 20 UN	1 1/2" - 16 UN	28
	230	CRM-5/230	6,47	149	2,6	320	550	314	38	28,7	25	24,5	19	25	2x 1/4" - 20 UN	1 1/2" - 16 UN	28
10 /101	25	CRM-10/25	14,44	36	2	97	122	91	57	42,88	38	36	19	39	2x 5/16" - 18 UN	2 1/4" - 14 UN	26
	50	CRM-10/50	14,44	72	2,4	122	172	116	57	42,88	38	36	19	39	2x 5/16" - 18 UN	2 1/4" - 14 UN	26
	100	CRM-10/100	14,44	144	3,2	172	272	166	57	42,88	38	36	19	39	2x 5/16" - 18 UN	2 1/4" - 14 UN	26
	160	CRM-10/160	14,44	231	4,1	232	392	226	57	42,88	38	36	19	39	2x 5/16" - 18 UN	2 1/4" - 14 UN	26
	200	CRM-10/200	14,44	289	5,2	298	498	292	57	42,88	38	36	19	39	2x 5/16" - 18 UN	2 1/4" - 14 UN	26
	260	CRM-10/260	14,44	375	6,1	358	618	352	57	42,88	38	36	19	39	2x 5/16" - 18 UN	2 1/4" - 14 UN	26
	300	CRM-10/300	14,44	433	6,7	398	698	392	57	42,88	38	36	19	39	2x 5/16" - 18 UN	2 1/4" - 14 UN	26
355	CRM-10/355	14,44	513	7,5	453	808	447	57	42,88	38	36	19	39	2x 5/16" - 18 UN	2 1/4" - 14 UN	26	
15 /137	50	CRM-15/50	19,63	98	4,4	160	210	150	70	50	40	38	20	48	2x 3/8" - 16 UN	2 3/4" - 16 UN	30
	100	CRM-15/100	19,63	196	5,5	210	310	200	70	50	40	38	20	48	2x 3/8" - 16 UN	2 3/4" - 16 UN	30
	160	CRM-15/160	19,63	314	7	270	430	260	70	50	40	38	20	48	2x 3/8" - 16 UN	2 3/4" - 16 UN	30
	260	CRM-15/260	19,63	510	9	370	630	360	70	50	40	38	20	48	2x 3/8" - 16 UN	2 3/4" - 16 UN	30
	360	CRM-15/360	19,63	707	11	470	830	460	70	50	40	38	20	48	2x 3/8" - 16 UN	2 3/4" - 16 UN	30
25 /232	25	CRM-25/25	33,18	83	5,5	140	165	131	85	65	55	55	20	58	2x 1/2" - 13 UN	3 5/16" - 12 UN	49
	50	CRM-25/50	33,18	166	6,3	165	215	156	85	65	55	55	20	58	2x 1/2" - 13 UN	3 5/16" - 12 UN	49
	100	CRM-25/100	33,18	332	7,9	215	315	206	85	65	55	55	20	58	2x 1/2" - 13 UN	3 5/16" - 12 UN	49
	160	CRM-25/160	33,18	531	9,8	275	435	266	85	65	55	55	20	58	2x 1/2" - 13 UN	3 5/16" - 12 UN	49
	200	CRM-25/200	33,18	664	11,1	315	515	306	85	65	55	55	20	58	2x 1/2" - 13 UN	3 5/16" - 12 UN	49
	260	CRM-25/260	33,18	863	13	375	635	366	85	65	55	55	20	58	2x 1/2" - 13 UN	3 5/16" - 12 UN	49
	300	CRM-25/300	33,18	995	14,2	415	715	406	85	65	55	55	20	58	2x 1/2" - 13 UN	3 5/16" - 12 UN	49
360	CRM-25/360	33,18	1194	16,1	475	835	466	85	65	55	55	20	58	2x 1/2" - 13 UN	3 5/16" - 12 UN	49	
30 /309	210	CRM-30/210	44,18	928	19	384	594	375	102	75	60	55	46	-	-	3 5/16" - 12 UN	49
50 /496	50	CRM-50/50	70,88	354	16	180	230	175	127	95	80	72	27	95	2x 1/2" - 13 UN	5" - 12 UN	55
	100	CRM-50/100	70,88	709	20	230	330	225	127	95	80	72	27	95	2x 1/2" - 13 UN	5" - 12 UN	55
	160	CRM-50/160	70,88	1134	24	290	450	285	127	95	80	72	27	95	2x 1/2" - 13 UN	5" - 12 UN	55
	330	CRM-50/330	70,88	2339	36	460	790	455	127	95	80	72	27	95	2x 1/2" - 13 UN	5" - 12 UN	55
100 /929	100	CRM-100/100	132,73	1327	46	280	380	275	175	130	105	92	40	140	4x 3/4" - 10 UNC	6 7/8" - 12 UN	44
	170	CRM-100/170	132,73	2256	55	350	520	345	175	130	105	92	40	140	4x 3/4" - 10 UNC	6 7/8" - 12 UN	44
	260	CRM-100/260	132,73	3451	67	440	700	435	175	130	105	92	40	140	4x 3/4" - 10 UNC	6 7/8" - 12 UN	44

Different strokes and tonnages available.