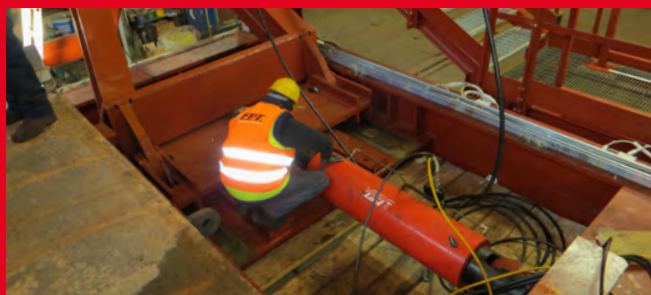




PRODUCT
PAGE

**Pulling force: for structure
approach operations**

CUSTOM CYLINDERS ON REQUEST



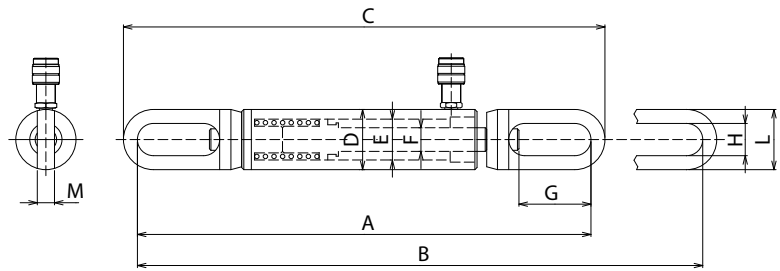
- Single acting, pulling hydraulic cylinders with spring return, high pressure. Pushing force from 2 to 100 tons with range of strokes from 75 mm to 160 mm.
- Cylinders that operate under a pulling force. Ideal for load approach and welding operations in the shipbuilding and heavy structural steelwork sectors.
- The guiding surfaces are sized to guarantee optimal performance in load offset absorption and stop-ring increases safety for the operator avoiding the over stroke of the piston.
- Equipped with high strength gaskets for maximum durability.
- 3/8" NPT female coupler with dust cap equipped. CRM TR cylinders feature a threaded section on the body and piston to fit its accessories: chains, heads and extensions.
- External painting for maximum corrosion resistance or Nitox ONC treatment on all components for the maximum resistance to corrosion and wear.
- All models weighing more than 20 kg are equipped with lifting eyebolts.
- Possibility to design and produce custom made hydraulic cylinders on request, with dedicated geometries, performances and features.

CRM TRA-TR

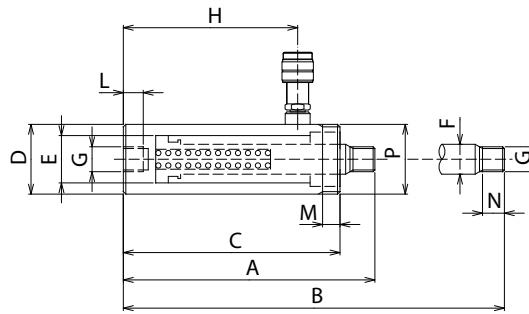


2-60 ton
Stroke 127-155 mm
700 bar

CRM-TRA



CRM-TR



CAP/Force ton (kN)	STROKE mm	MODEL	SECTION cm ²	VOLUME cm ³	MASS kg	DIMENSIONS (mm)								
						A	B	C	D	E	F	G	H	L
10 /109	150	CRM-10/150-TRA	15,7	235	14,5	606	756	642	78	55	32	95	42	78
30 /304,3	155	CRM-30/155-TRA	40,84	648,5	38	810 - 914	965 - 1069	860 - 964	114	85	45	100	54	104
60 /613,1	155	CRM-60/155-TRA	84,23	1306	92,5	840	995	918	175	125	70	137	62	140

CAP/Force ton (kN)	STROKE mm	MODEL	SECTION cm ²	VOLUME cm ³	MASS kg	DIMENSIONS (mm)											
						A	B	C	D	E	F	G	H	L	M	N	P
2 /22,9	127	CRM 2/127 TR	3,27	41,5	1,8	234	361	202,5	40	30	22	3/4 NPT	163,5	22	20	18	M40 X 1,5
5 /53	140	CRM 5/140 TR	7,57	106	4,9	300	440	255	60	45	32	1 - 1/4 NPT	201,5	30	35	22	M60 X 1,5
10 /102,9	150	CRM 10/150 TR	14,13	226,9	8,4	304	454	264	80	55	35	M30X2	220	25	24	25	M80 X 2

Different strokes and tonnages available.

- The eyelet can be used to adjust the extended and closed heights of the CRM30/75 TRA and CRM 30/155 TRA models.

- Construction on request of forks and pins, protective bellows and connectors or threads based on customer specifications.

