



PRODUCT
PAGE

For very
high pressure

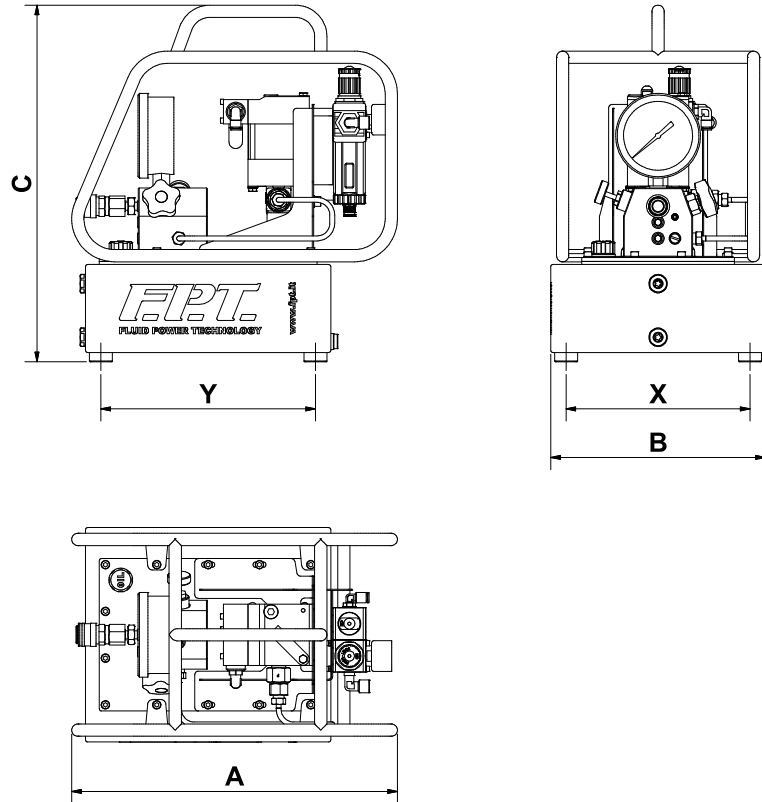
**CUSTOM HYDRAULIC PUMPS
ON REQUEST**



- PP series power units are the ideal solution for all very high pressure applications where it is necessary to connect to the compressed air line.
- Power units for tensioning bolts, burst tests, laboratory tests, scaling or keying of bearings, actuation of hydraulic bolt tensioners or hydraulic nuts and wherever high pressure is required.
- Standard versions with pressure 1500 bar - 2500 bar - 3000 bar and 4000 bar.
- Equipped with pressure relief valve for maximum operational safety.
- Handwheel pressure regulator valve.
- Pressure gauge, female quick coupler and standard pneumatic filter regulator assembly on all models.
- Models available with remote control pendant (CDP).
- Possibility to design and produce custom hydraulic power units on request, with dedicated performance and features.

PP

Single stage
5 to 10 l oiltank capacity
1500 to 3000 bar



PP

MODEL	PRESSURE	MIN. NEEDED PRESSURE	AVG. AIR CONSUMPTION	MULTIPLICATION RATIO	OIL DISPLACEMENT NO LOAD	OIL DISPLACEMENT MAX PRESSURE	OILTANK CAPACITY	AIR PRESSURE RANGE	DIMENSIONS (mm)					FIXING HOLES	MASS (OIL INCLUDED)
									A	B	C	X	Y		
PP1500C05	1500	7	500	1:220	0,28	0,01 @ 7 bar	5	1 - 10 bar	425	265	466	165	250	nr.4 M8x12	19,5
PP1500C10	1500	7	500	1:220	0,28	0,01 @ 7 bar	10		425	280	466	240	280	nr.4 M8x12	25,5
PP1500C05/CDP	1500	7	500	1:220	0,28	0,01 @ 7 bar	5		425	265	466	165	250	nr.4 M8x12	21,0
PP1500C10/CDP	1500	7	500	1:220	0,28	0,01 @ 7 bar	10		425	280	466	240	280	nr.4 M8x12	27,0
PP2500C05	2500	6	600	1:440	0,21	0,03 @ 6 bar	5		425	265	466	165	250	nr.4 M8x12	20,5
PP2500C10	2500	6	600	1:440	0,21	0,03 @ 6 bar	10		425	280	466	240	280	nr.4 M8x12	26,5
PP2500C05/CDP	2500	6	600	1:440	0,21	0,03 @ 6 bar	5		425	265	466	165	250	nr.4 M8x12	22,0
PP2500C10/CDP	2500	6	600	1:440	0,21	0,03 @ 6 bar	10		425	280	466	240	280	nr.4 M8x12	27,5
PP3000C05	3000	8	700	1:440	0,21	0,06 @ 8 bar	5		425	265	466	165	250	nr.4 M8x12	20,5
PP3000C10	3000	8	700	1:440	0,21	0,06 @ 8 bar	10		425	280	466	240	280	nr.4 M8x12	26,5
PP3000C05/CDP	3000	8	700	1:440	0,21	0,06 @ 8 bar	5		425	265	466	165	250	nr.4 M8x12	22,0
PP3000C10/CDP	3000	8	700	1:440	0,21	0,06 @ 8 bar	10		425	280	466	240	280	nr.4 M8x12	27,5
PP4000C10	4000	7	800	1:660	0,19	0,05 @ 7 bar	10		425	280	475	240	280	nr.4 M8x12	26,5
PP4000C10/CDP	4000	7	800	1:660	0,19	0,05 @ 7 bar	10		425	280	475	240	280	nr.4 M8x12	29,5