



PRODUCT
PAGE

**For bolt tensioners and
hydraulic nuts**

CUSTOM PUMPS ON REQUEST

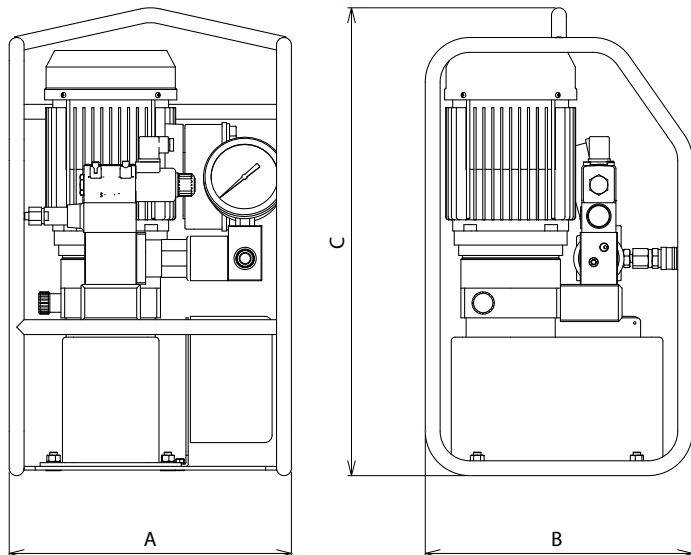


- Single-phase electric power pack suitable to operate hydraulic bolt tensioners and nuts.
- On request different engines, capacities and pressure are available.
- The electric pump is available in three versions: 1.500 - 2.000 and 3.000 bar.
- The pressure regulating valve allows easy output pressure setting.
- Control pendant for easy operation control.
- Data Logger option available as an option, for the download of tightening values.

FPT C7

1.500 to 3.000 bar
40/1 cm³ oil displacement
Double stage
7 l oiltank capacity

FPT C7



MODEL	PRESSURE	OIL FLOW	MOTOR	KW RPM	VALVE	OILTANK CAPACITY	DIMENSIONS			WEIGHT	ACCESSORIES
	bar	l/min					A	B	C		
FPT-1500-EV4/3-C7	120/1500	4,5/0,35	SINGLE PHASE, 4 POLES	1,1/1400	SOLENOID VALVE	7	380	360	630	38	PENDANT
FPT-1500-EV4/3-D-C7	120/1500	4,5/0,35	SINGLE PHASE, 4 POLES	1,1/1400	SOLENOID VALVE	7	380	360	630	39	PENDANT WITH DIGITAL DISPLAY
FPT-2000-EV4/3-C7	120/2000	3,7/0,12	SINGLE PHASE, 4 POLES	1,1/1400	SOLENOID VALVE	7	380	360	630	38	PENDANT
FPT-3000-EV4/3-C7	185/3000	3,2/0,15	SINGLE PHASE, 4 POLES	1,1/1400	SOLENOID VALVE	7	380	360	630	38	PENDANT

On request it is possible to have control pendant with digital pressure indicator even for pressures > 1500 bar

